

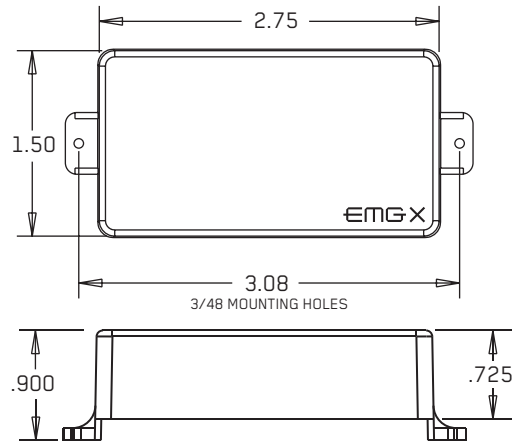


0230-0115A

PO BOX 4394  
SANTA ROSA, CA  
95402 USA

P (707) 525-9941  
F (707) 575-7046  
EMGPICKUPS.COM

**X-SERIES**

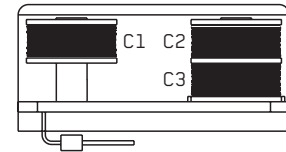


## INSTALLATION INFORMATION EMG MODEL: 89-X

### SPECIFICATIONS:

	MODEL:	Single-Coil	Dual-Coil
Logo Color	89-X		
Magnet Type	Copper		
	Alnico		
Resonant Frequency (KHz)		3.80	2.00
Output Voltage (String)		2.00	3.00
Output Voltage (Strum)		6.00	8.50
Output Noise (60 Hz)		-112	-110
Output Impedance (Kohm)		2.00	2.00
Current @9V (Microamps)	160		
Battery Life (Hours)	1500		
Maximum Supply (Volts DC)	27		

EMG-89X (SIDE VIEW)



In Dual-coil mode, coils C1 and C2 are active.  
In Single-coil mode, coils C2 and C3 are active.

### INSTALLATION NOTES:

EMG-X Series Pickups are compatible with all EMG Active Pickups. They use the connector system for easy installation, avoiding the need to solder. Older EMG Pickups may need to be soldered, while the newer systems can be easily connected and modified. The X-Series Active Tone Control (VLPF) is compatible with older EMG Pickups and can be used in place of the passive tone control used with other EMG Active Pickups. EMG accessories like the EXG, SPC or RPC Controls can be added to any EMG Pickup System without the need for an extra battery. When using a selection switch, refer to the included B157 Pickup Buss Instructions for a detailed explanation of the Buss.

### IMPORTANT INSTALLATION NOTES:

- 1) Only one 9-Volt battery is required to power the pickups and any accessories such as the SPC, RPC, EXG, AB, PA-2, and Pi-2. Use an Alkaline or Lithium battery for longest life.
- 2) The Volume Control included with the EMG-X System is 25K Ohm. This value is required for the system to work correctly.
- 3) A stereo output jack (12B) is included with the EMG-X Pickups; it grounds the black battery wire to turn on the pickups when the plug is inserted into the jack. If you are replacing passive pickups, make sure to use the jack included. If your guitar has a long panel jack (see Page 2, bottom), make sure it is a stereo type, a Switchcraft 152B is recommended.
- 4) When installing any EMG-X Active Pickup, DO NOT connect the bridge ground wire. This wire is usually soldered to a volume or tone control casing and goes to the bridge. This wire grounds the strings and uses them as a shield against hum and buzz. It also creates a shock hazard.

EMG Pickups are shielded internally and DO NOT require string grounding. This greatly reduces the possibility of reverse polarity shock from microphones and other equipment.

- 5) EMG-X Active Pickups have very little magnetism compared to passive pickups. We recommend you adjust the pickups as close to the strings as possible. Sustain and string movement will not be inhibited by close adjustment.
- 6) If your installation is different from the diagrams in these instructions or you need additional diagrams visit our website: [emgpickups.com](http://emgpickups.com) for a complete listing of available diagrams.

### 7) SPECIAL NOTE:

**The diagrams shown are for EMG-X Active Pickups. All diagrams show the Red Wire coming from the pickups connected to the battery. If you are installing EMG-HZ Passive Pickups refer to their diagrams. The Red Wire of the HZ Pickup is NOT for battery power, it is a coil wire.**

### WARRANTY

All EMG Pickups and accessories are warranted for a period of two years. This warranty does not cover failure due to improper installation, abuse or damage. If upon examination the pickup is determined to be defective, a replacement will be made. Warranty replacement products are covered by this same warranty. This warranty covers only those pickups and accessories sold by authorized EMG Dealers. This warranty is not transferable.

**Installation Instructions:**

**EMG Models: EMG-89-X**

**General Notes:**

Every attempt has been made to make this a solderless installation. There are some instances where this is not possible;

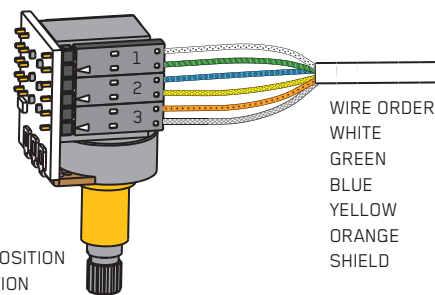
- 1) If your instrument uses the long panel output jack and you had passive pickups you will need a new stereo output jack, the Switchcraft 152B is recommended. Soldering to the new jack will be required, see diagram #5 below.
- 2) Some instruments may already have a battery holder installed and in that case soldering may be required, see the diagram at the bottom of page 3.
- 3) Instruments with two pickups may need soldering to the selection switch in some installations.

**Using the 89-X Push-Pull Pot**

The Push-Pull Pot included with the EMG-89-X allows you to choose between two internal pickups, single-coil and dual-coil. The Push-Pull Pot has two separate sections described below.

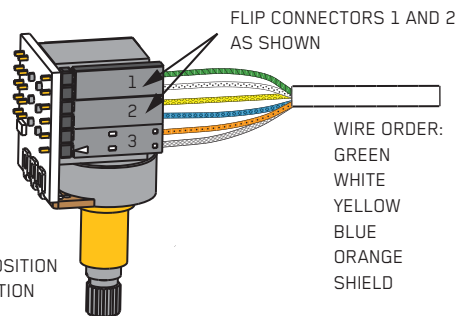
Refer to diagrams #1 and #2

- 1) The push-pull pot has a switch section (DPDT) that lets you choose between the single-coil sound and a dual-coil sound by pulling or pushing the pot shaft up or down. You have the option of having the single-coil sound in either the up or down position and the same for the dual-coil sound. Diagrams #1 and #2 show how to connect the 89-X pickup cable to choose either option. Select the diagram that suits you and push the cable connectors onto the single line 6 pin header. Simply flip cable connectors 1 and 2 to change the wire order and this will choose between the two options. Connector 3 remains the same for either choice.



**Diagram #1**  
HUMBUCKING ON: DOWN POSITION  
SINGLE COIL ON: UP POSITION

WIRE ORDER:  
WHITE  
GREEN  
BLUE  
ORANGE  
SHIELD



**Diagram #2**  
SINGLE-COIL ON: DOWN POSITION  
HUMBUCKING ON: UP POSITION

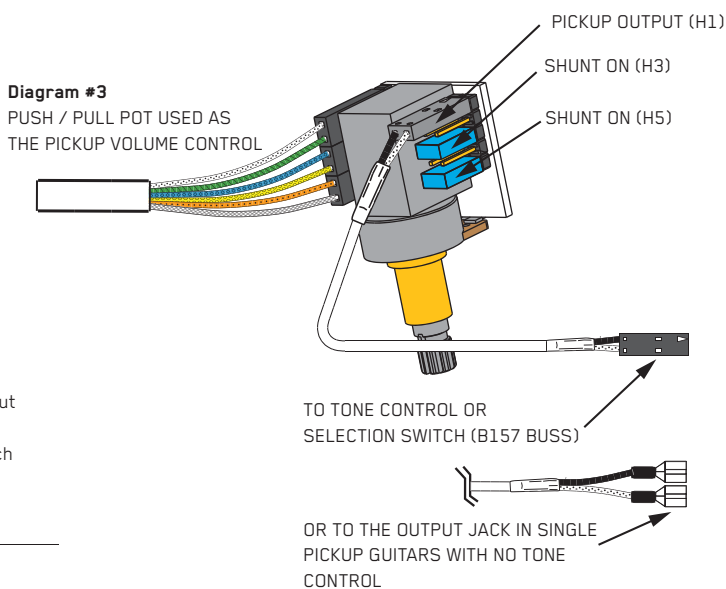
FLIP CONNECTORS 1 AND 2 AS SHOWN  
WIRE ORDER:  
GREEN  
WHITE  
YELLOW  
BLUE  
ORANGE  
SHIELD

Refer to diagrams #3 and #4

- 2) The pot section (25KA) can be used either as a volume control for the pickup or, it can be used as the master volume for the guitar. Diagrams #3 and #4 show how to connect either option. Use the dual-line 10 pin header and push the cables on and install the shunts as needed onto the labeled headers H1 thru H5.

Use diagram #3 if you have a single 89-X installed in your instrument, or have two or more pickups in your instrument and want to use the pot as the volume control for the 89-X Pickup. Installing the shunts on positions H3 and H5 sends the pickup signal to the wiper of the 25K Pot, and the output of the 25K Pot is at position H1.

Diagram #4 allows you to use the 25K Pot independently of the pickup output. By taking the output of the pickup from position H4, the volume control is now available to use as a master volume with H1 and H2 being the input and/or output of the volume control. H1 and H2 positions are interchangeable. Position H4, now the output of the pickup, would typically go to a selection switch or a pan-pot. Don't forget to install the shunt on H5.



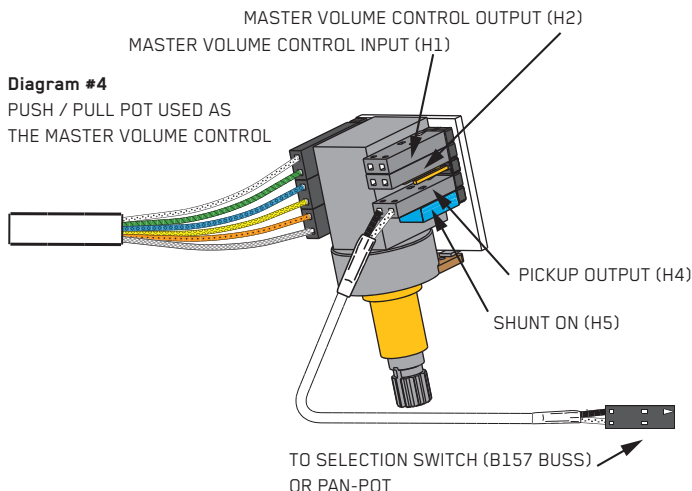
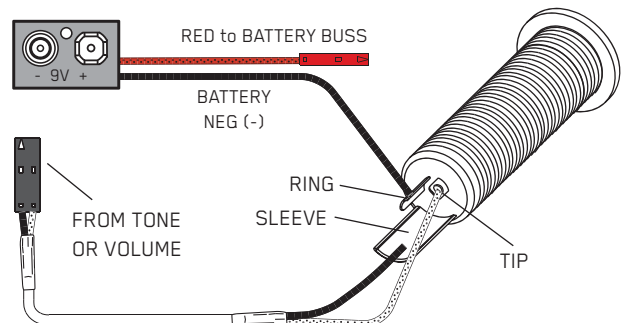
**Diagram #3**  
PUSH / PULL POT USED AS THE PICKUP VOLUME CONTROL

**Diagram #5**

**Soldering to the 152B Panel Jack:**

If your instrument has a long Panel Jack like the one below you will have to solder the output cable as shown.

- Ground (Black) to the Sleeve
- Signal (White) to the Tip
- Battery Negative (Black) to the Ring



**Diagram #4**  
PUSH / PULL POT USED AS THE MASTER VOLUME CONTROL

**Installation (One Pickup Guitars):**

- 1) Plug the pickup cable onto the EMG Pickup header as shown in diagram #6 and route the cable to the control cavity. If the cable is too long, wind up the excess and keep it under the pickup if possible

**1 89-X with a Master Volume only.**

Refer to diagram #7.

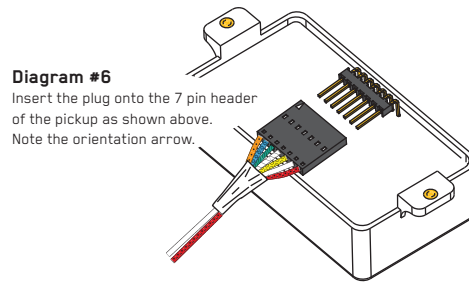
- 2) Plug the Pickup cable onto the push-pull pot switch section using the option chosen from diagram #1 or #2.

Plug the output cable onto the H1 position of the push-pull pot section as shown in diagram #7 and be sure the shunts are installed on header positions H3 and H5. No shunts on H2 and H4. Skip to step 4.

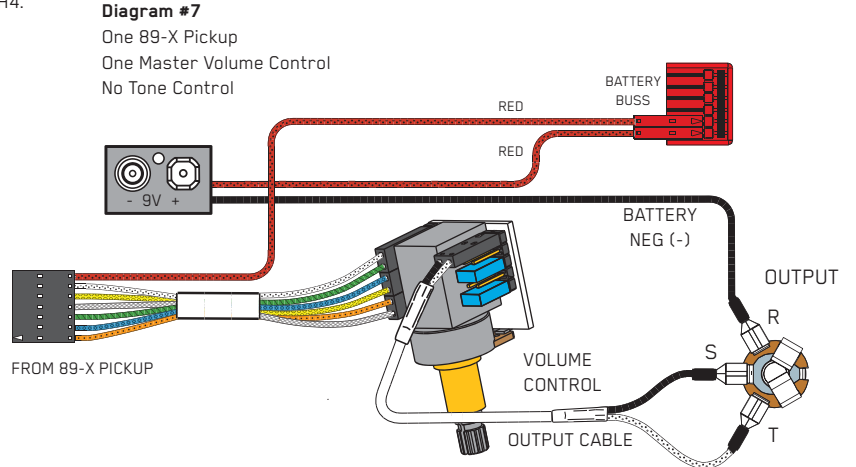
**1 89-X with a Master Volume and VLPF Active Tone control**

Refer to diagram #8.

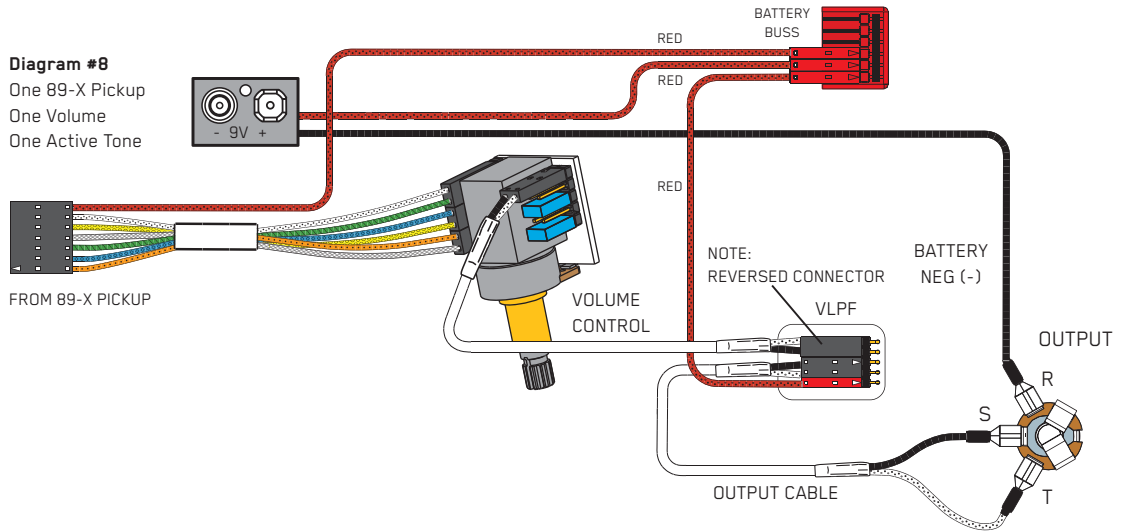
- 3) Install the VLPF Active Tone included with the 89-X Pickup. Plug a coax cable from the push-pull pot to the VLPF Active Tone Control. (Note the reversed connector on pins 1 and 2). Insert the output cable onto the Tone control as shown (Pins 3 and 4).
- 4) Connect the output wires to the output jack by pushing the connectors onto the jack as shown. WHITE wire to the TIP (T) contact, BLACK wire to the SLEEVE (S) contact, BLACK Battery Negative wire to the RING (R) contact.
- 5) Using the battery buss, insert the RED wire of the pickup, the battery RED wire, and the RED wire from the VLPF onto any of the pins. Extra pins can be used for EMG Accessories.
- 6) Put the battery in the insulating foam piece provided and place it securely in the control cavity. We suggest that you plug in the instrument and test it before closing the control cavity.



**Diagram #6**  
Insert the plug onto the 7 pin header of the pickup as shown above. Note the orientation arrow.



**Diagram #7**  
One 89-X Pickup  
One Master Volume Control  
No Tone Control

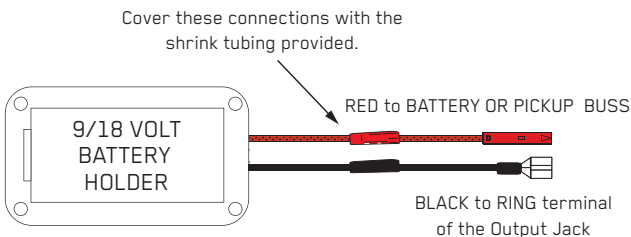


**Diagram #8**  
One 89-X Pickup  
One Volume  
One Active Tone

**Diagram #9**

**If the instrument has a Battery Holder:**

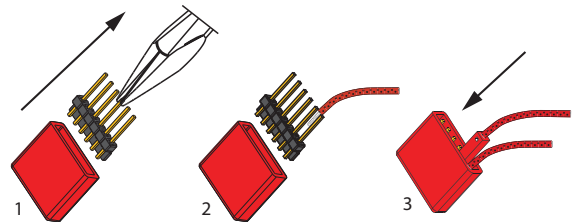
If your instrument has a 9 or 18 Volt battery holder you can still use the EMG Connectors to supply power to the pickups. Simply cut and strip the wires from the battery clip provided. Twist the wires together and use the shrink tubing included to cover the connections. Soldering the wires is the recommended.



**Diagram #10**

**Soldering to the battery buss:**

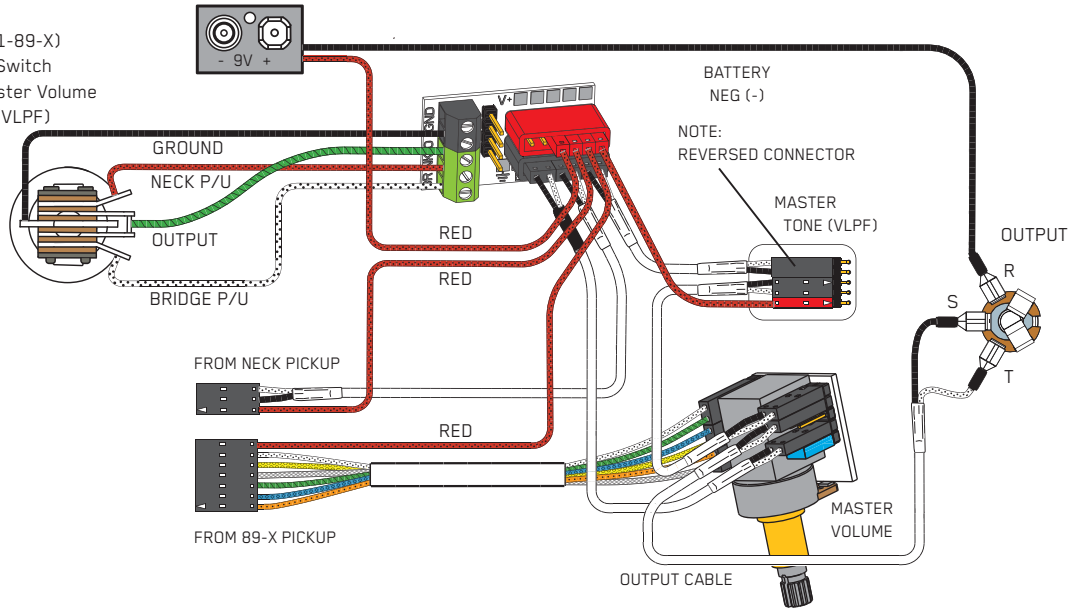
If your instrument has an older EMG Pickup you can solder the pickup RED wire to the buss. Simply use some needle nose pliers, pull out the V+ header and solder the RED Wire from the pickup(s) to any of the pins and then re-insert the header into the housing.



Solder the RED wire from the Battery Holder and/or pickups and re-insert the Header into the insulation cover

**Diagram #11**

2 Pickups (1 EMG + 1-89-X)  
 Toggle Style Select Switch  
 Push-Pull Pot as Master Volume  
 with a Master Tone (VLPF)

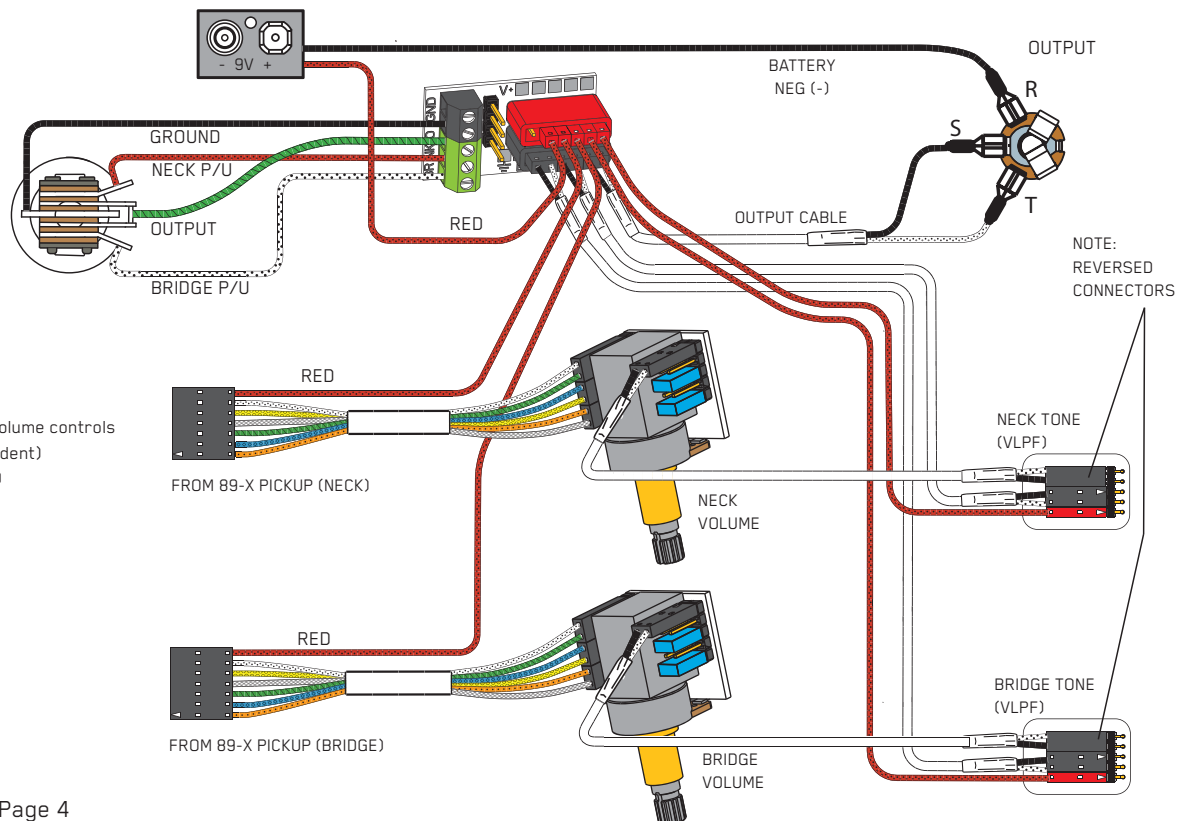


**Refer to Diagram 11 Above:**

- 1) Install the Pickups and route the cables to the control cavity keeping any excess cable under the pickup.
- 2) Choose an up/down option from diagram #1 or #2 and plug the 89-X Pickup cable onto the push-pull pot.
- 3) Route a coax cable from the push/pull pot (H4) to the Pickup buss, Position 1. Plug the pickup cable of the other EMG into Position 2 of the pickup buss.
- 4) Plug a coax cable from Position 3 of the Pickup Buss to the VLPF. Plug a coax cable from the VLPF to the push/pull pot (H1)
- 5) Plug the output cable from the push/pull pot (H2) to the output jack and push the connectors onto the T, S, and R terminals of the jack as shown.
- 6) Plug the RED Wires of the pickups onto the V+ Supply Buss (RED Shroud) with the RED of the VLPF and the RED wire of the battery clip.
- 7) Strip the insulation from the switch wires and Insert them into the GREEN and BLACK Terminal Blocks and tighten the screws with a small screwdriver. Refer to the B157 Pickup buss instructions enclosed.
- 8) Put the battery in the insulating foam piece provided and place it securely in the control cavity.  
 We suggest that you plug in the instrument and test it before closing the control cavity.

**Refer to Diagram 12 Below:**

- 1) Install the 89-X Pickups and route the cables to the control cavity keeping any excess cable under the pickup.
- 2) Choose an up/down option from diagram #1 or #2 and plug the 89-X Pickup cables onto the push-pull pots.
- 3) Route a coax cable from each of the push/pull pots (H1) to the VLPF Controls.
- 4) Plug a coax cable from the Bridge VLPF to the Pickup Buss (Position 1) Plug a coax cable from the Neck VLPF to the Pickup Buss (Position 2)
- 5) Plug the output cable from the push/pull pot (H2) to the output jack and push the connectors onto the T, S, and R terminals of the jack as shown.
- 6) Plug the RED Wires of the pickups onto the V+ Supply Buss (RED Shroud) with the RED of the VLPF and the RED wire of the battery clip.
- 7) Strip the insulation from the switch wires and Insert them into the GREEN and BLACK Terminal Blocks and tighten the screws with a small screwdriver. Refer to the B157 Pickup buss instructions enclosed.
- 8) Put the battery in the insulating foam piece provided and place it securely in the control cavity.  
 We suggest that you plug in the instrument and test it before closing the control cavity.



**Diagram #12**

2 89-X Pickups  
 2 Push-Pull Pots as Volume controls  
 (volumes are independent)  
 2 Active Tones (VLPF)  
 Toggle Style Switch