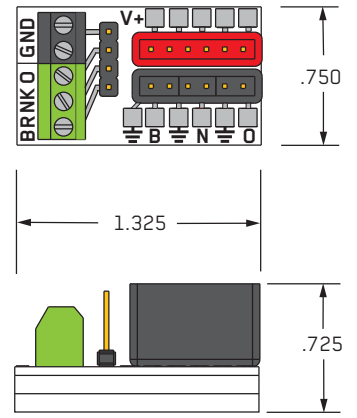
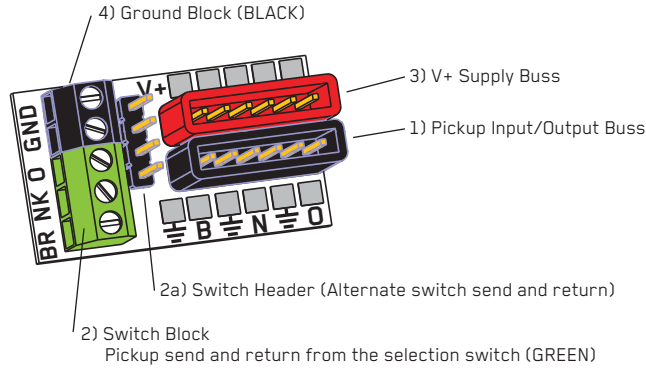




0230-01.13E

PO BOX 4394
SANTA ROSA, CA
95402 USA

P (707) 525-9941
F (707) 575-7046
EMGPICKUPS.COM



INSTALLATION INFORMATION

EMG MODEL: B157 EMG PICKUP BUSS FOR 2 PICKUPS USING A SELECTION SWITCH (ACTIVE OR PASSIVE EMG PICKUPS)

GENERAL INFORMATION:

The B157 EMG Pickup Buss provides a convenient way to install EMG Pickups without soldering. The buss includes an input/output section for the pickup signals. A V+ Supply buss for supplying the pickups and accessories with battery power. A two section terminal block and additional header for connecting the selection switch and any ground wires. In addition, solder pads are provided for both the Input/Output section and the V+ Supply buss so older EMG Pickups without connectors can be easily soldered to both busses. The Pickup Buss can also be used for passive EMG-HZ Pickups.

The EMG Pickup Buss has 4 main sections.
All 4 sections are typically used, so read the instructions and use the diagrams for assistance.

Section 1) Pickup Input/Output Buss:

This is the 6 pin header with the BLACK shroud.

Diagram #1 (Master Volume / Master Tone Controls)

This diagram shows the pickups plugged directly into the Input/Output buss (Positions 1 and 2). Use diagram #1 if your guitar has only a Master Volume, or only a Master Volume and Master Tone. The output of the buss (Position 3) will go to the Master Volume Control, then to the tone control, and finally to the output jack.

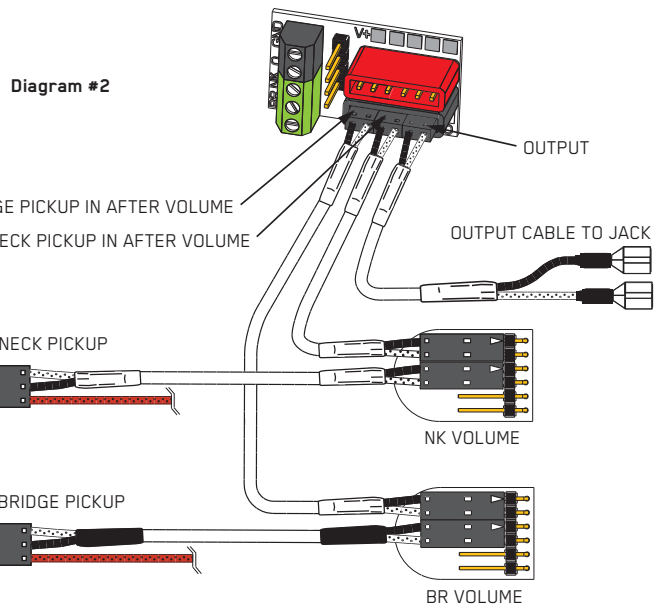
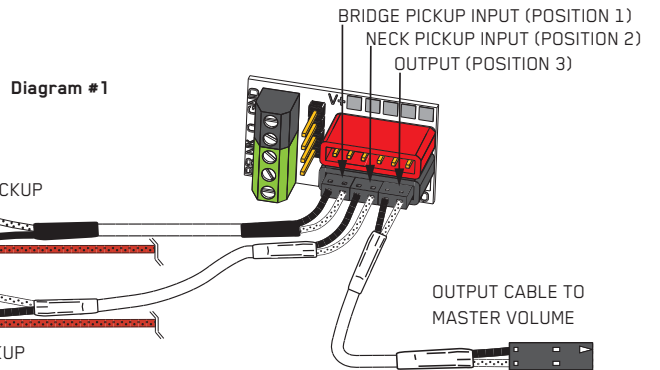
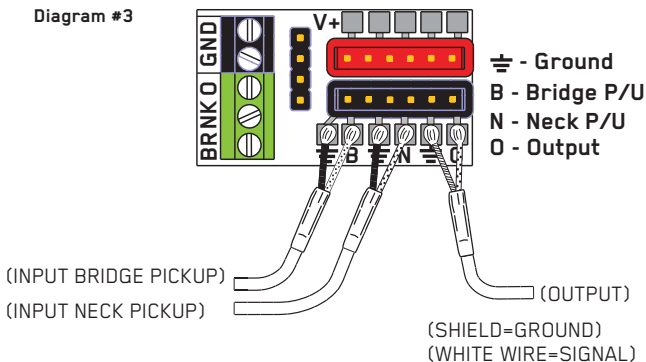
Diagram #2 (Separate Volumes for each Pickup)

This diagram shows the pickups plugged into the volume controls, then into the Input/Output buss (Positions 1 and 2). Use diagram #2 if your guitar has a separate Volume control for each pickup. The output of the buss (Position 3) can go directly to the output jack as shown in diagram #2, or it might go to a Master Tone Control, then to the output jack.

Soldering to the Input/Output Buss

If you have an older EMG Pickup without connectors, you can connect the to the Input/Output buss by soldering to the pads provided.

Diagram #3



Section 2) Switch Block:

This is the **GREEN** Section of the terminal Block.

The Pickup Signals are routed to and from the selection switch via the GREEN terminal Block. Strip the wires and insert them into the terminal block as shown. Tighten the screws with a small screwdriver.

Two styles of switch are shown, toggle (diagram #4) and lever (diagram #5) The wires from the switch (wire colors are not important) go to the following terminals on the Switch terminal block.

The BR terminal is for the Bridge Pickup

The NK terminal is for the Neck Pickup

The O terminal is for the Output from the switch

Diagram #4

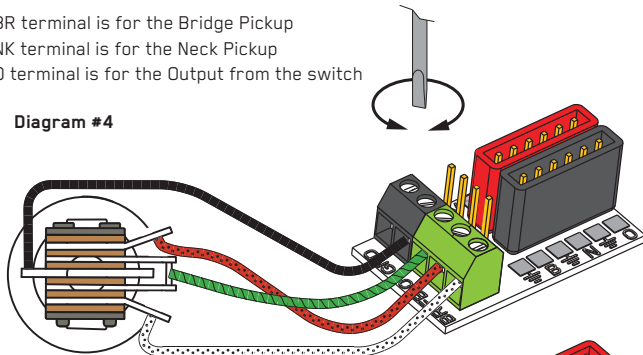
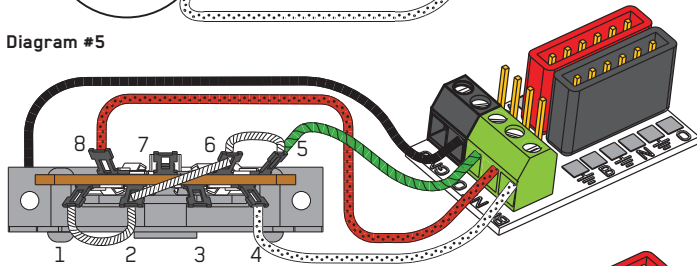
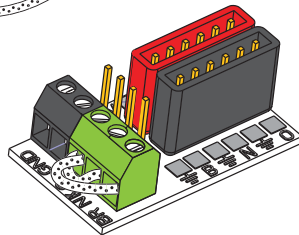


Diagram #5



If you do not have a switch. Install jumper wires as follows.

The BR terminal to O terminal
The NK terminal to O terminal



Section 2a) Switch Header (Alternate)

This alternate Switch header is for Epiphone guitars, or for other pre-wired instruments with similar 0.1 (2.5mm) inch spaced connectors that come from the switch. Newer model Epiphone Les Paul Models feature a connector from the selection switch. The color code of the Epiphone connector is:

Black = Ground

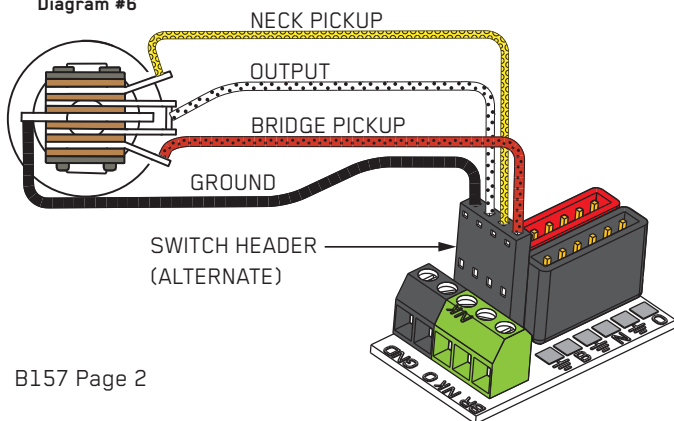
White= Switch Output

Yellow= Neck Pickup

Red= Bridge Pickup

The Switch Header (4 pin header directly behind the terminal block) performs the same function as the green terminal block, only it uses a plug on connector. If your instrument has a connector that is compatible with the alternate header you will not need to use the GREEN terminal block.

Diagram #6



Section 3) V+ Supply Buss

(for Pickups and accessories)

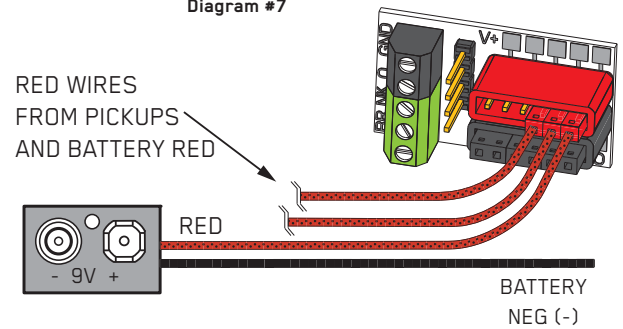
This is the 6 pin header with the **RED** Shroud

Diagram #7

The V+ Supply buss distributes 9V+ to the pickups and any EMG Accessory circuits such as the SPC, EXG, RPC, or BT.

The RED wire(s) of those accessories will also plug into the V+ Buss. Plug the RED wires from the pickups and the RED wire of the battery clip into V+ Supply Buss. If you need to solder to the buss, see diagram #8 below.

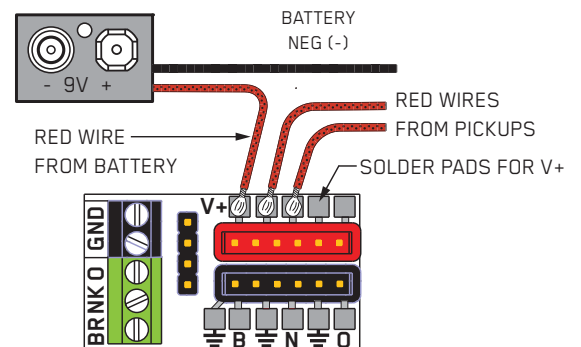
Diagram #7



Soldering to the V+ Buss

If you have an older EMG Pickup without the RED V+ connectors you can solder to any of the 5 solder pads to supply voltage to the pickup. Solder the RED of the battery to any one of these pads to supply 9V+.

Diagram #8



Section 4) Ground Block

(for Switch Ground / String Ground (Passive Pickups) or Ground wires from Pickup Cavities.

This is the **BLACK** Section of the terminal block.

2 terminals are provided, and as many as 4 (22 awg) wires can be accommodated. One terminal can be used for the ground wire from the switch, and the other can be used for any other ground wire requirements. This provides a convenient place to put ground wires from shielding or a bridge ground if your guitar has a passive pickup.

Diagram #9

