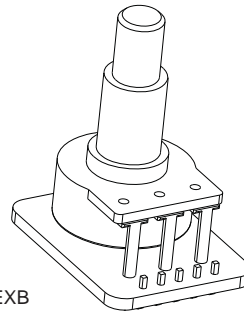




0230-0165A

PO BOX 4394  
SANTA ROSA, CA  
95402 USA

P (707) 525-9941  
F (707) 575-7046  
EMGPICKUPS.COM



EXB

## INSTALLATION INFORMATION

### EMG MODEL: EXB (ACTIVE/PASSIVE PICKUP INPUTS)

#### SPECIFICATIONS

Input Impedance (Ohms)	250K
Input Referred Noise	-130dbV
Output Impedance (Ohms)	2K
Current @ 9V (Microamps)	750
Battery Life (Hours)	200
Maximum Supply (Volts DC)	18

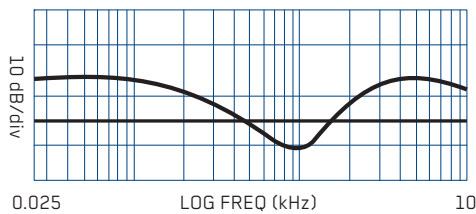
#### INCLUDED:

- 1 EXB Control
- 1 Battery Clip with Buss Connector
- 1 Stereo Output Jack (Battery Switching)
- 2 Interconnect cables

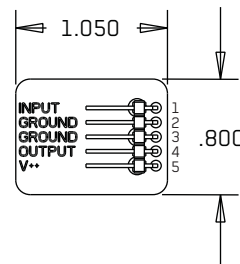
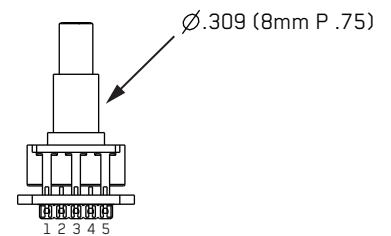
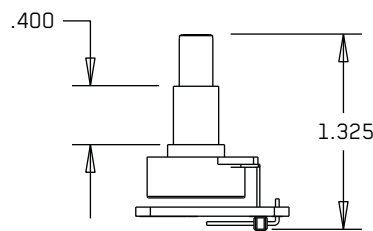
#### GENERAL OPERATION:

The EXB is an active EQ circuit for bass guitar that simultaneously increases both low and high frequencies while decreasing mid-range. The graph below illustrates the effect of the EXB. The thick black line displays the effect with the control all the way up (clockwise). The flat black line illustrates the effect with the control all the way down (counter-clockwise) in the bypass mode. The EXB is continuously variable from flat to maximum effect. The EXB is wired in series with the signal path, so there is an input and output. The EXB has buffered inputs and can be used with passive pickups.

#### Frequency Response: EMG-EXB



#### Dimensions:



Connector for EMG Active Tone controls and accessories.

- Pin 1 Input
- Pin 2 Ground for Input
- Pin 3 Ground for Output
- Pin 4 Output
- Pin 5 V+ Supply

#### WARRANTY

All EMG Pickups and accessories are warranted for a period of two years. This warranty does not cover failure due to improper installation, abuse or damage. If upon examination the pickup is determined to be defective, a replacement will be made. Warranty replacement products are covered by this same warranty. This

## Installation Instructions:

### EMG Model: EXB

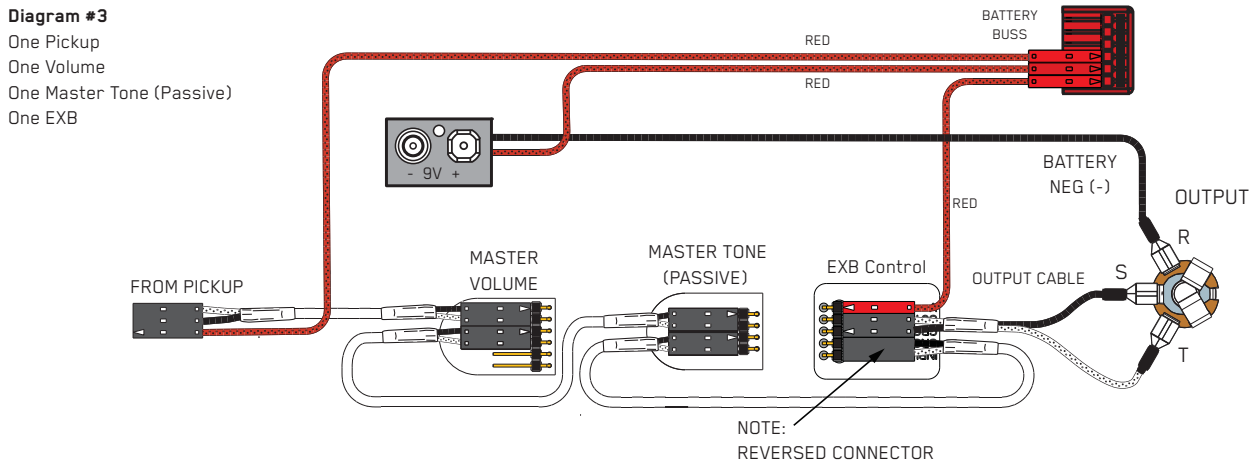
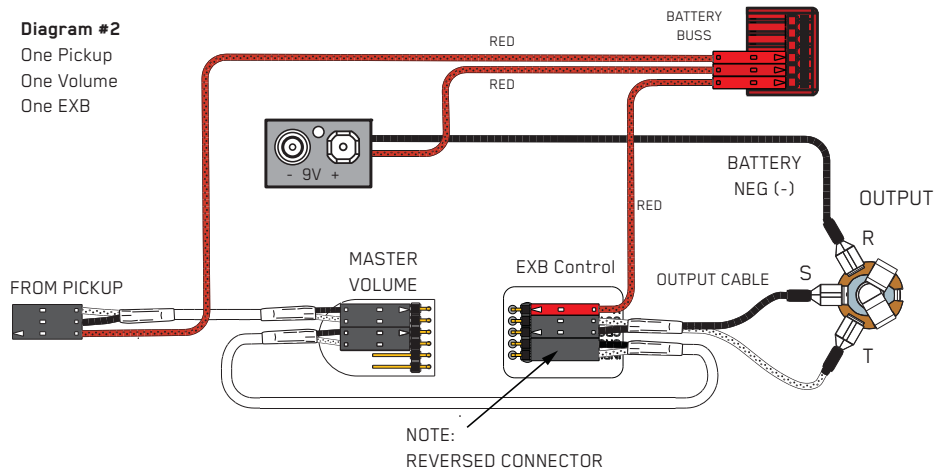
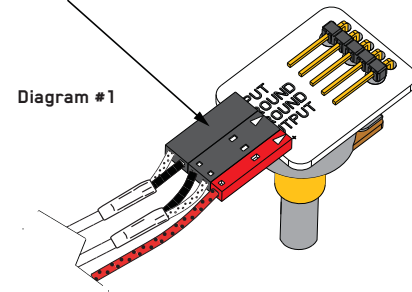
Like all EMG Accessory products the EXB uses the 5-pin header as a standard. Diagram #1 to the right shows how the plug-in connectors are installed. Be sure to reverse the input connector as shown.

Since there are a variety of installations in which the EXB can be installed it is impossible to show every installation in this data sheet. Some of the simpler installations have been chosen. More diagrams are available at our website <http://www.emgpickups.com>. Diagrams #2 and #3 illustrate installations that have a single pickup and do not use a selection switch.

Keep in mind that all of the EMG Accessory controls can be substituted for one another since they all have buffered inputs and utilize the same 5-pin connector. So, if you decide you would rather use the BTC instead of the EXB, simply unplug the EXB and replace it with the BTC.

All of the EMG Active controls use the same 5-pin connector shown below.

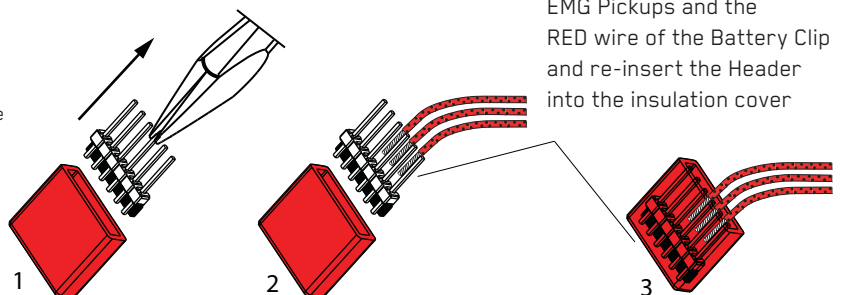
Note: Reversed connector! Pins 1 and 2 are reversed. Make sure the connectors are plugged on as shown.



## Powering up the pickups:

If your existing pickup cables don't have the connector for the power buss, simply use some needle nose pliers and pull out the V+ header and solder the RED Wires of the EMG Pickups to any of the pins on the header. Also, don't forget to solder the RED Wire of the battery clip to one of the header pins of the buss as well.

If you are installing EMG-HZ Passive Pickups refer to their diagrams. The Red Wire of the HZ Pickup is NOT for battery power, it is a coil wire.

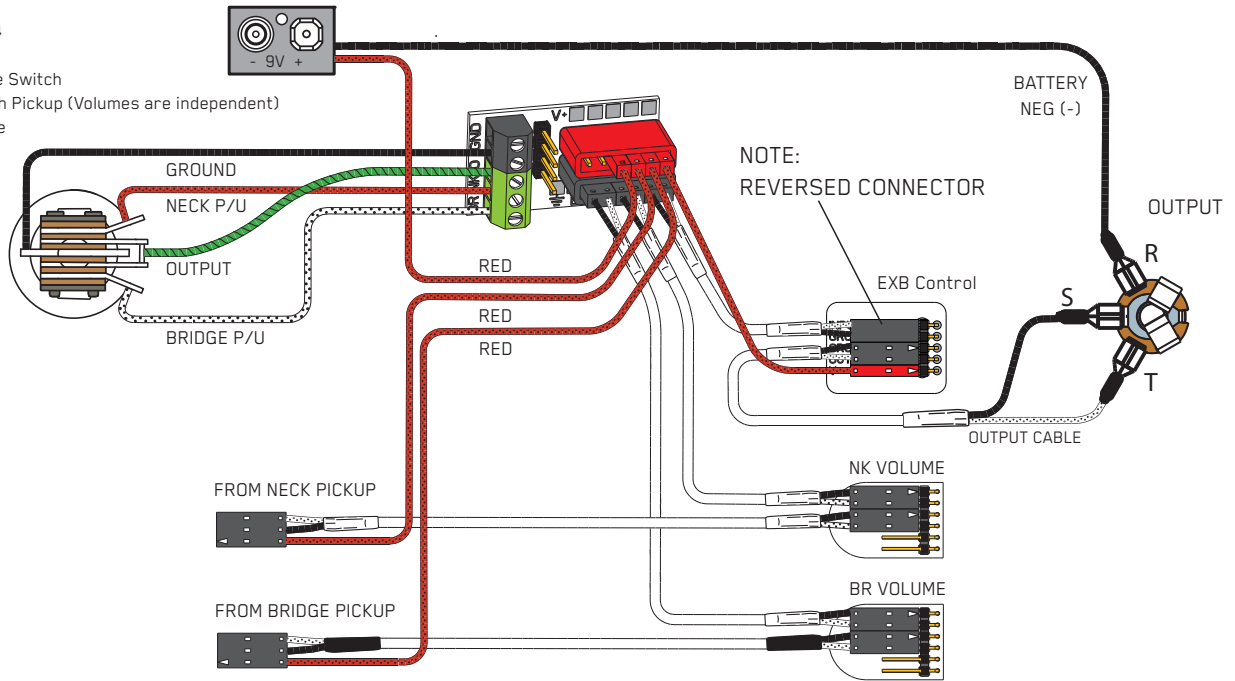


## 2 Pickup Guitars using a selection switch:

Diagrams #4 and #5 show the pickups connected to the B157 Pickup Buss.  
 To learn more about the B157 Pickup Buss, be sure to go to the EMG Website:  
<http://www.emgpickups.com>. More diagrams are available at the EMG website.  
 The EXB or any EMG Active Tone Control is shown following the pickup buss  
 and then to the output jack. A master volume could easily follow the EXB  
 before the output jack.

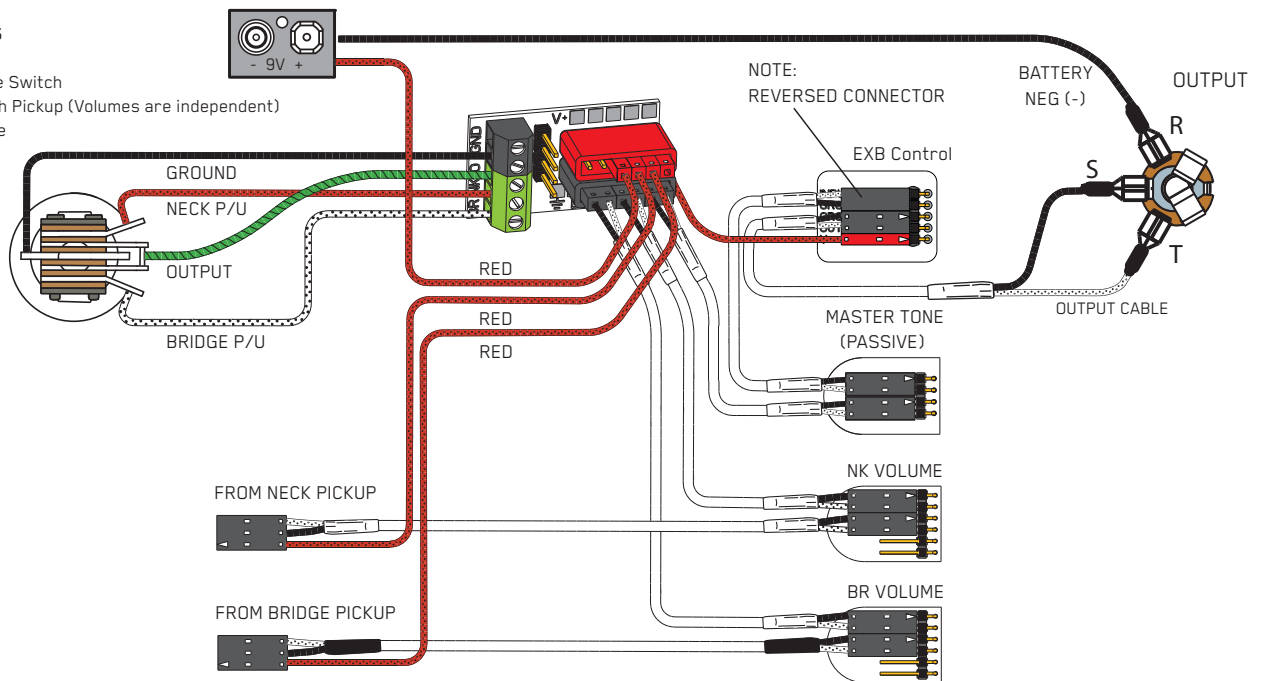
**Diagram #4**

2 Pickups  
 Toggle Style Switch  
 Volume each Pickup (Volumes are independent)  
 Master Tone



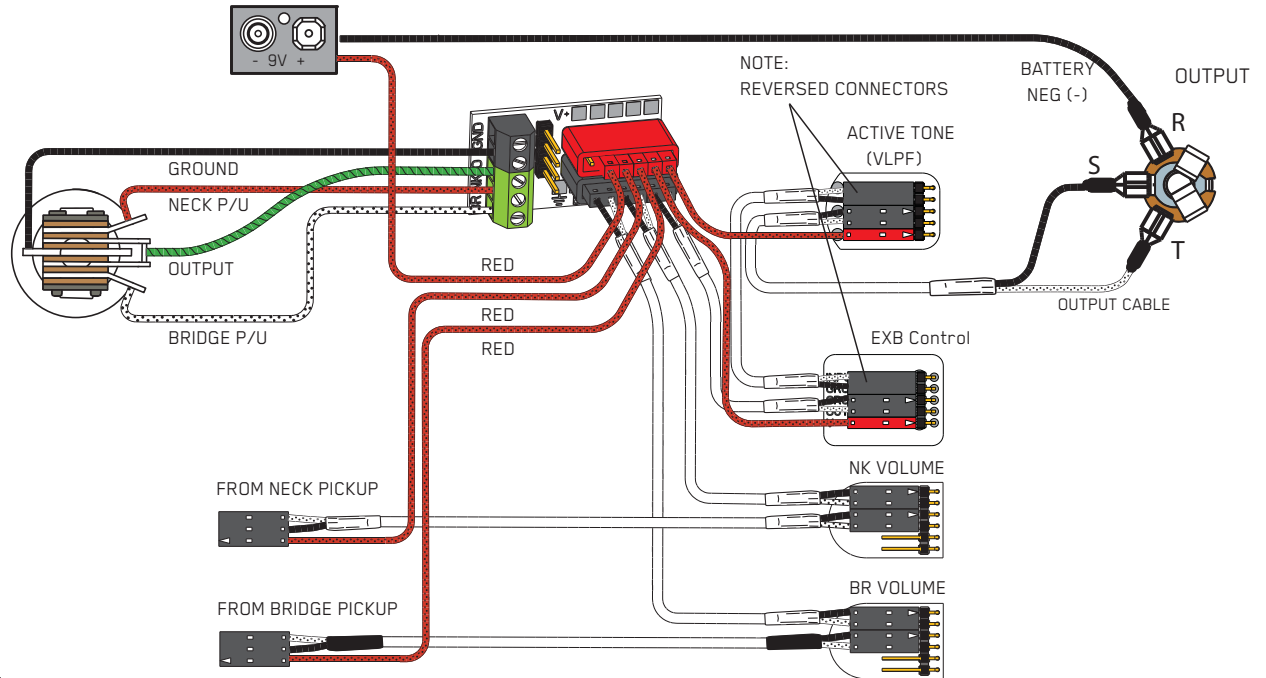
**Diagram #5**

2 Pickups  
 Toggle Style Switch  
 Volume each Pickup (Volumes are independent)  
 Master Tone



**Diagram #6**

- 2 Pickups
- Toggle Style Switch
- Volume each Pickup (Volumes are independent)
- EXB Control
- Master Active Tone (VLPF)



**Diagram #7**

- 2 Pickups
- ABC Control
- Active Tone (VLPF)
- EXB Control
- Master Volume Control
- Output Jack

This diagram illustrates an installation using the X Series pickups from EMG that have an active Tone control. The controls are wired in the above order with the master Volume control last in the circuit. If you are using the Active Balance Control remember that a passive Tone control will not function when it comes after the ABC Control. If you want a standard tone control the VLPF will be required.

