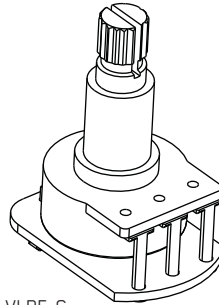




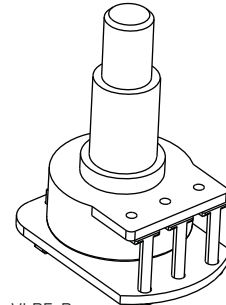
0230-0168B

PO BOX 4394
SANTA ROSA, CA
95402 USA

P (707) 525-9941
F (707) 575-7046
EMGPICKUPS.COM



VLPF-G
SPLIT SHAFT



VLPF-B
SOLID SHAFT

INSTALLATION INFORMATION EMG MODELS: VLPF (G-GUITAR, B-BASS) (ACTIVE/PASSIVE PICKUP INPUTS)

SPECIFICATIONS

Input Impedance (Ohms)	250K
Input Referred Noise	-130dbV
Output Impedance (Ohms)	2K
Current @ 9V (Microamps)	980
Battery Life (Hours)	250
Maximum Supply (Volts DC)	18

INCLUDED:

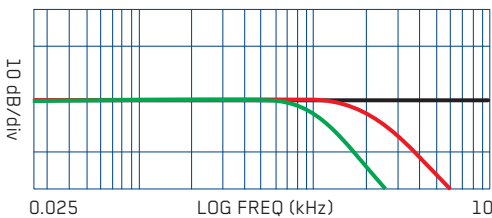
- 1 VLPF Control
- 1 Battery Clip with Buss Connector
- 1 Stereo Output Jack (Battery Switching)
- 2 Interconnect cables

GENERAL OPERATION:

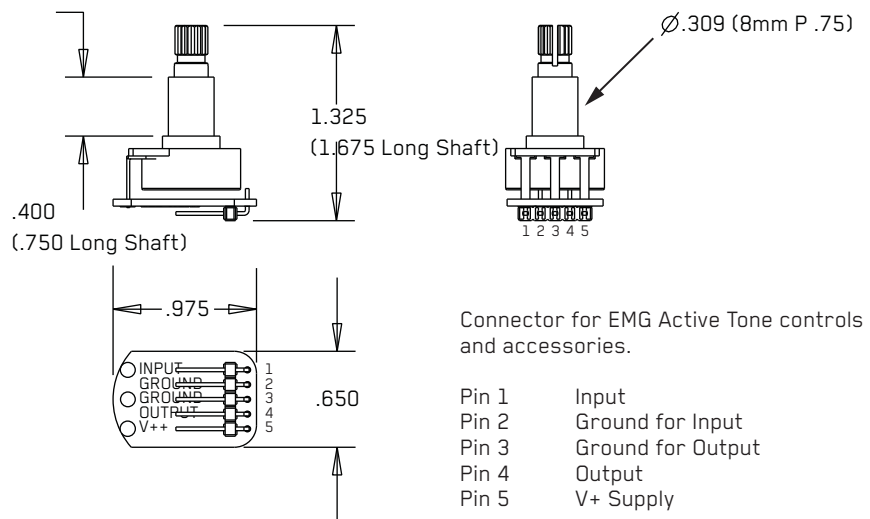
The VLPF (Variable Low-Pass Filter) primary function is to roll-off (attenuate) high frequencies, similar to a typical passive tone control. There are two models, VLPF-G for guitar and the VLPF-B for bass. The VLPF is included as the standard tone control with all EMG-X Pickups. Unlike passive tone controls that operate in parallel with the signal, the Active VLPF has an input and output and is wired in series with the signal path. The graph below illustrates the effect of the controls. The VLPF-B operates an octave lower than the VLPF-G for guitar. In the diagram below the flat black line illustrates the effect with the control all the way down (counter-clockwise) in the bypass mode. Both filters have a slope of -10dB per/octave. The controls are continuously variable from flat to maximum effect. The VLPF features a buffered input and can be used with passive pickups.

Frequency Response:

- EMG-VLPF G-Guitar — -3dB@2Khz
- EMG-VLPF B-Bass — -3dB@1Khz



Dimensions:



Connector for EMG Active Tone controls and accessories.

- Pin 1 Input
- Pin 2 Ground for Input
- Pin 3 Ground for Output
- Pin 4 Output
- Pin 5 V+ Supply

WARRANTY

All EMG Pickups and accessories are warranted for a period of two years. This warranty does not cover failure due to improper installation, abuse or damage. If upon examination the pickup is determined to be defective, a replacement will be made. Warranty replacement products are covered by this same warranty. This warranty covers only those pickups and accessories sold by authorized EMG Dealers. This warranty is not transferable.

Installation Instructions:

EMG Models: VLPF-G and VLPF-B

Like all EMG Accessory products, the VLPF uses EMG's 5-pin connector. Diagram #1 to the right shows how the plug-in connectors are installed. Be sure to reverse the input connector as shown.

Since there are a variety of installations in which the VLPF can be installed it is impossible to show every installation in this data sheet. Some of the simpler installations have been chosen. More diagrams are available at our website <http://www.emgpickups.com>. Diagrams #2 and #3 illustrate installations that have a single pickup and do not use a selection switch.

Page 3 has diagrams that have 2 pickups and a selection switch. Page 4 has diagrams that have 3 pickups and use the B161v4 five position selection switch/buss. If you have the B161v4, refer to that data sheet where more options regarding the 3-pickup instruments are available.

Keep in mind that all of the EMG Accessory controls can be substituted for one another since they all have buffered inputs and utilize the same 5-pin connector. So, if you decide you would rather use the EXG instead of the VLPF, simply unplug the VLPF and replace it with the EXG.

All of the EMG Active controls use the same 5-pin connector shown below.

Note: Reversed connector! Pins 1 and 2 are reversed. Make sure the connectors are plugged on as shown.

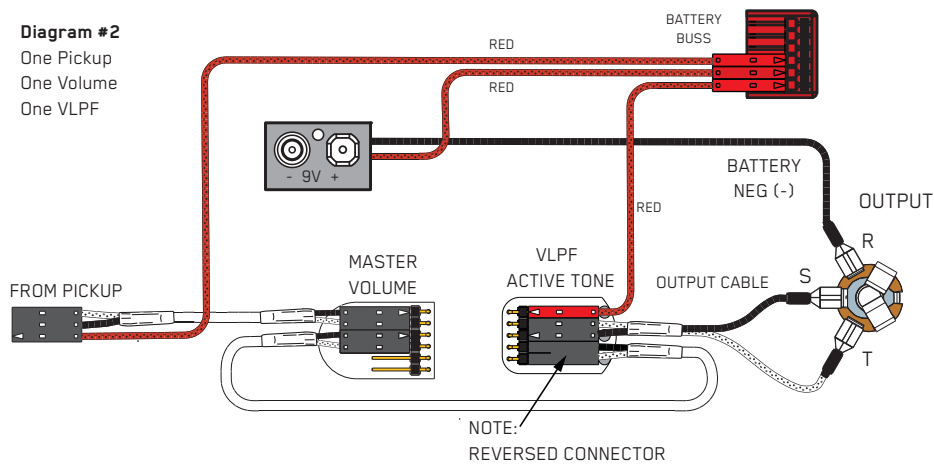
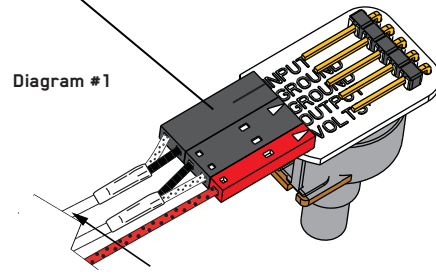
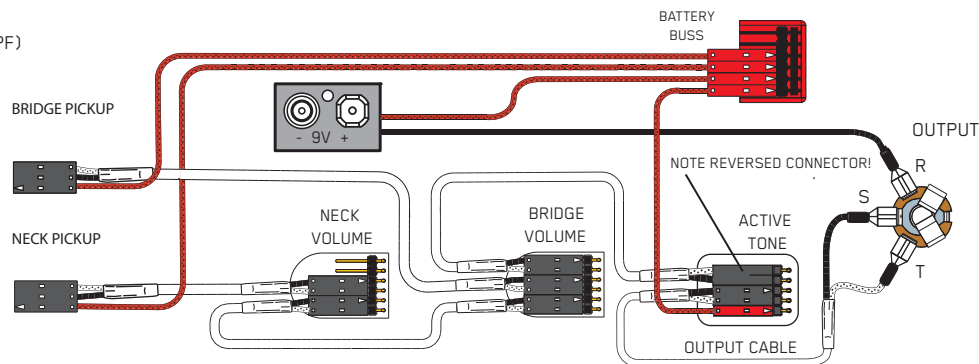


Diagram #3

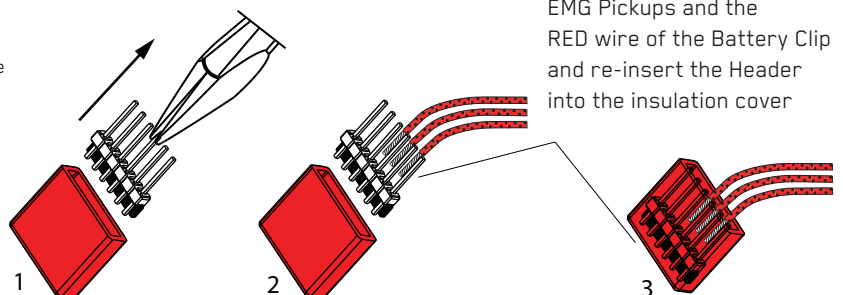
Two Pickup
Two Volumes
One Master Tone (VLPF)



Powering up the pickups:

If your existing active pickup cables don't have the connector for the power buss, simply use some needle nose pliers and pull out the V+ header and solder the RED Wires of the EMG Pickups to any of the pins on the header. Also, don't forget to solder the RED Wire of the battery clip to one of the header pins of the buss as well.

If you are installing EMG-HZ Passive Pickups refer to their diagrams. The Red Wire of the HZ Pickup is NOT for battery power, it is a coil wire.



2 Pickup Guitars using a selection switch:

Diagrams #4 and #5 show the pickups connected to the B157 Pickup Bus.

To learn more about the B157 Pickup Bus, be sure to go to the EMG Website:

<http://www.emgpickups.com>. More diagrams are available at the EMG website.

The VLPF Active Tone Control is shown following the pickup buss and then to the output jack.

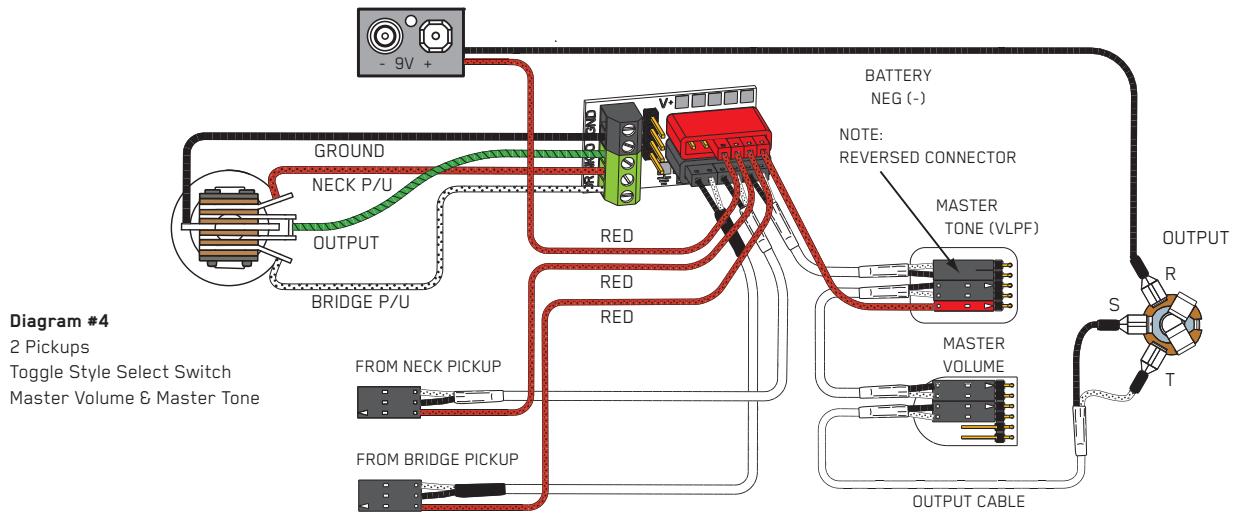


Diagram #5
 2 Pickups
 Toggle Style Switch
 Volume each Pickup (Volumes are independent)
 VLPF Control

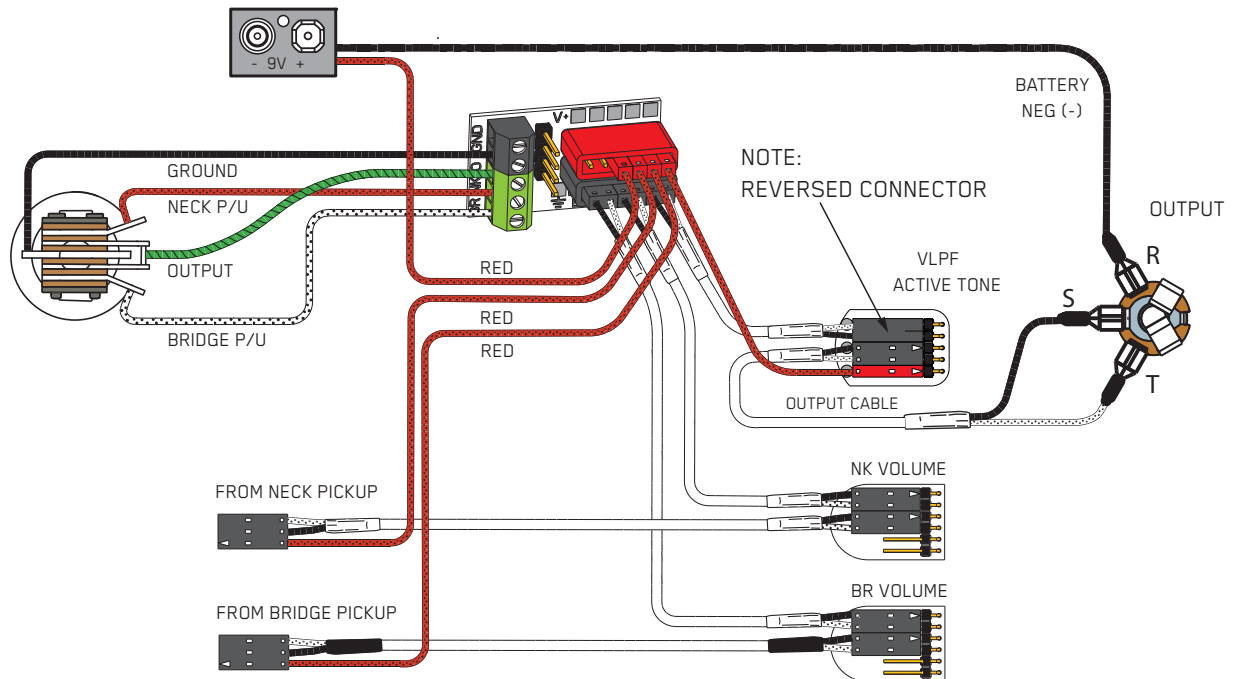
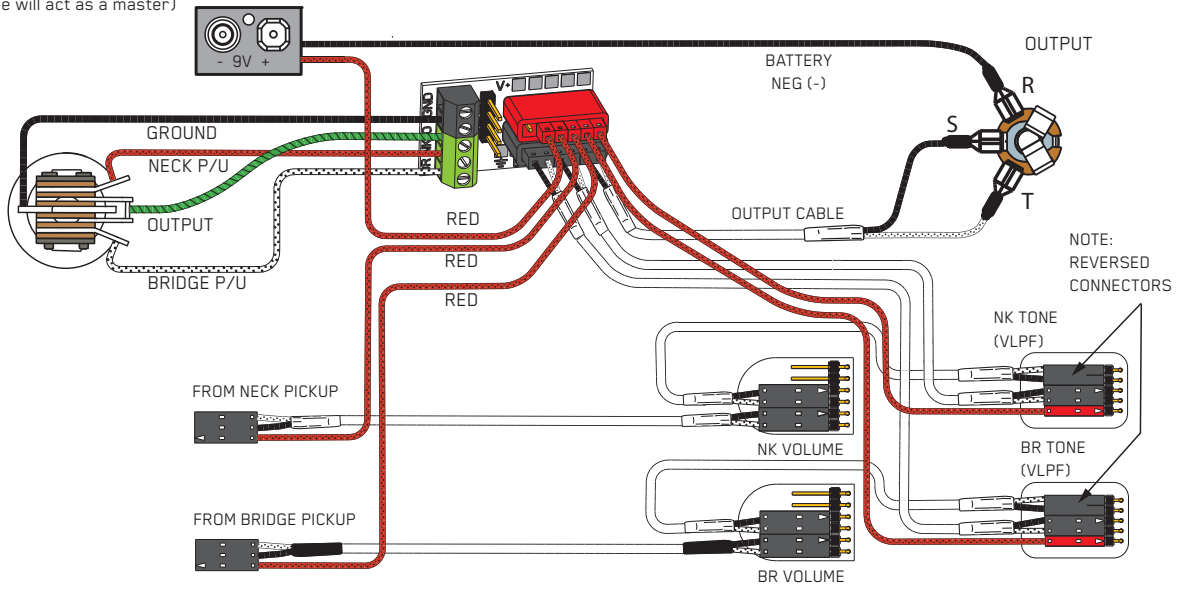


Diagram #6

- 2 Pickups
- 2 Volume (either volume will act as a master)
- 2 VLPF Tone Controls
- Toggle Style Switch



Refer to Diagram #7

Diagram #7 shows 2 active controls installed: VLPF and SPC. This is the same as the X Series Pickups that use an active tone (VLPF) and adding the SPC Control.

- 1) Plug a coax cable from the output switch to the Volume control.
- 2) Plug a coax cable from the Volume control to the input of the VLPF.
- 3) Plug a coax cable from the output of the VLPF to the input of the SPC.
- 4) Plug the output cable from the SPC to the output jack.
- 5) Plug the Red wires from both the VLPF and SPC to the extra 9V+ supply pins on the B161 Switch Buss.

Be sure to reverse the connector on the input of the VLPF as shown.
Be sure to reverse the connector on the input of the SPC as shown.

Be sure the 3 shunts are installed on the bypass header of the B161 switch or you won't get any output from the guitar.

Diagram #6
Volume Control
Tone (Active VLPF)
SPC Control

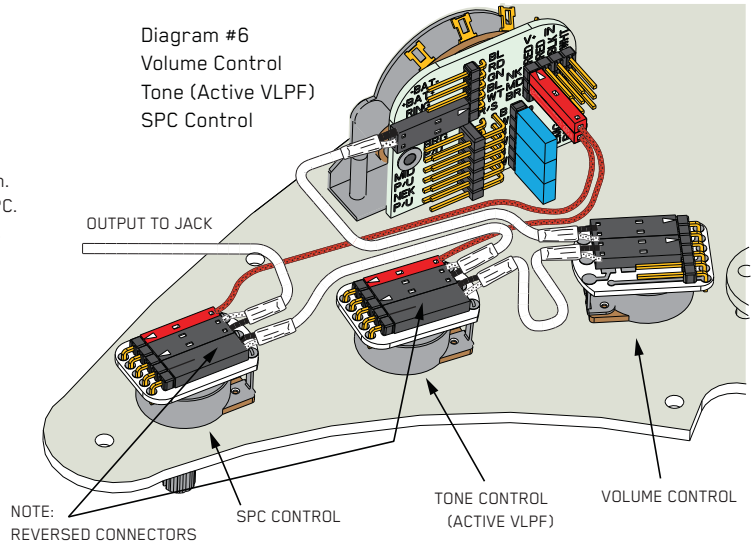


Diagram #8

B118 Active Balance Control Active Tone / Master Volume

This installation uses the B118 Balance control, Master Volume and VLPF Control. The VLPF Active Tone Control shown in this diagram can be replaced with the EMG-EXB Expander, EMG-BTC Control (Active Bass and Treble EQ) or the VMC.

