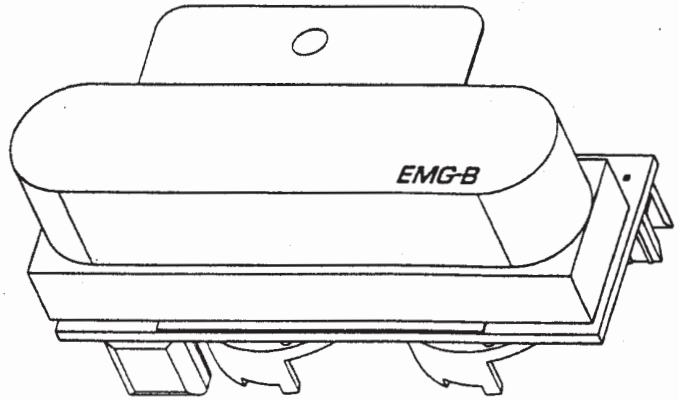




©EMG, Inc. 2001  
All Rights Reserved

### SPECIFICATIONS FOR THE EMG-B

Logo Color.....	Silver
Resonant Frequency(Khz).....	5.3
RMS Output Voltage.....	0.6
Peak Output Voltage.....	0.85
Output Noise(dBV).....	-92
Output Impedance(Kohm).....	10
Current @ 9V(Microamps).....	80
Battery Life(Hours).....	3000



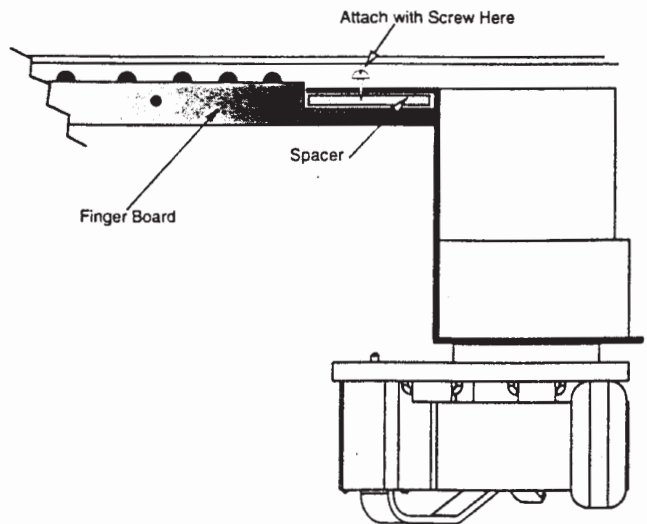
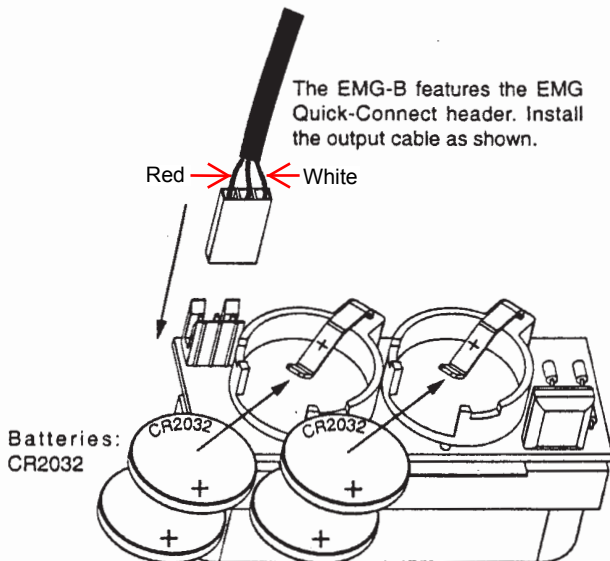
Active Pickup for Bouzouki Instrument

### IMPORTANT INSTALLATION NOTES:

- 1) Four batteries are required per instrument. Use 3-volt lithium coin cell batteries, CR2032 or similar, for longest life.
- 2) EMG Pickups have very little magnetism compared to high-impedance passive pickups. We recommend you adjust the pickups as close to the strings as possible. Sustain and string movement will not be inhibited by close adjustment and will give you more signal output.
- 3) If your installation is different from the diagrams in these instructions and you need additional diagrams, contact us by phone, fax, or e-mail. It is highly possible another EMG Installation Sheet will have the diagram you require. Additional diagrams are available at <http://www.emginc.com>

### INSTALLATION INSTRUCTIONS:

- 1) Drill a 3/8" (9.5mm) hole in a convenient spot in the instrument and install the output jack.
- 2) Install the four CR2032 lithium 3-volt batteries in the holders as shown in the diagram.
- 3) Plug the cable from the jack into the connector on the pickup as shown in the diagram.
- 4) Install the pickup on the end of the finger board using spacers if necessary to get the pickup as close to the strings as possible. The closer the pickup to the strings, the greater the output. Attach using the screw provided.



### Warranty:

All EMG Pickups and accessories are warranted for a period of two years. This warranty does not cover failure due to improper installation, abuse or damage. If at any time a pickup fails to work, return it postage prepaid with proof of purchase. If upon examination the pickup is determined to be defective, a replacement will be made at no charge. Warranty replacement products are covered by this same warranty. This warranty covers only those pickups and accessories sold by authorized EMG Dealers. This warranty is not transferable.