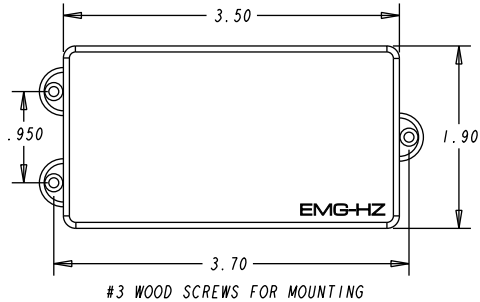




INSTALLATION INFORMATION
EMG-HZ Models: MMHZ



Specifications:

- Logo color..... Silver
- Inductance (Henries)..... 2.65
- DC Resistance (K ohms)..... 8
- Resonant Frequency HZ (1) 2850
- Resonant Frequency HZ (2) 4900
- Impedance @ Resonance 47.5K

Notes:

- (1) Loaded with 250K/500K Volume and Tone with 20' cable (800pf)
- (2) Loaded with 1 Meg ohm/47pf

Each pickup includes:

- 5 pin cable pre-wired in Humbucking Series format
- Adjustment screws
- Recommended String Width: 2.75 inches. The MMHZ is for 4 string basses only.

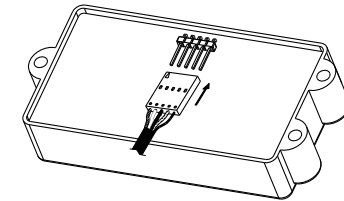
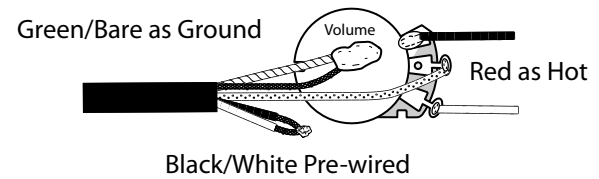
MMHZ bass pickups feature bar style construction.



EMG-HZ Warranty:

All EMG-HZ Pickups and accessories are warranted for a period of two years. This warranty does not cover failure due to improper installation, abuse, or damage. If at any time a pickup fails to work, return it postage prepaid with Return Authorization number. If upon examination the pickup is determined to be defective, a replacement will be made at no charge. Warranty replacement products are covered under this same warranty. This warranty covers only those pickups and accessories sold by authorized EMG Dealers.

EMG-HZ Series Wiring

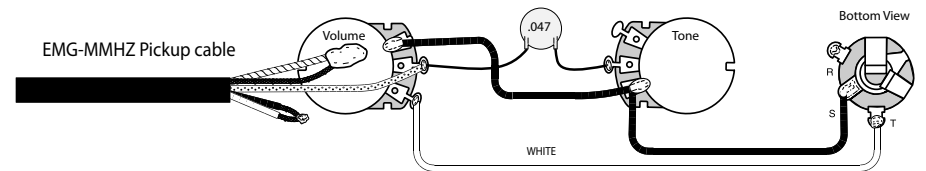


Insert EMG 5-pin Quik Connect as shown.

Pinout (with Arrow as pin 1):

- Green (pin 1)
- White (pin 2)
- Bare (pin 3)
- Red (pin 4)
- Black (pin 5)

EMG-MMHZ Diagram 1
1 Volume, 1 Tone



EMG-MMHZ Diagram 2
2 Volume, 1 Tone
(each Volume is independent)

